



INTERFLEX

INTERNATIONAL

Factory Parts Catalog

Product No.	MRAD19V9KS0
Series	134A
Color	grey
Volts	230V
Wiring Diagram	297392801
Owner's Guide	297409200
Market	International

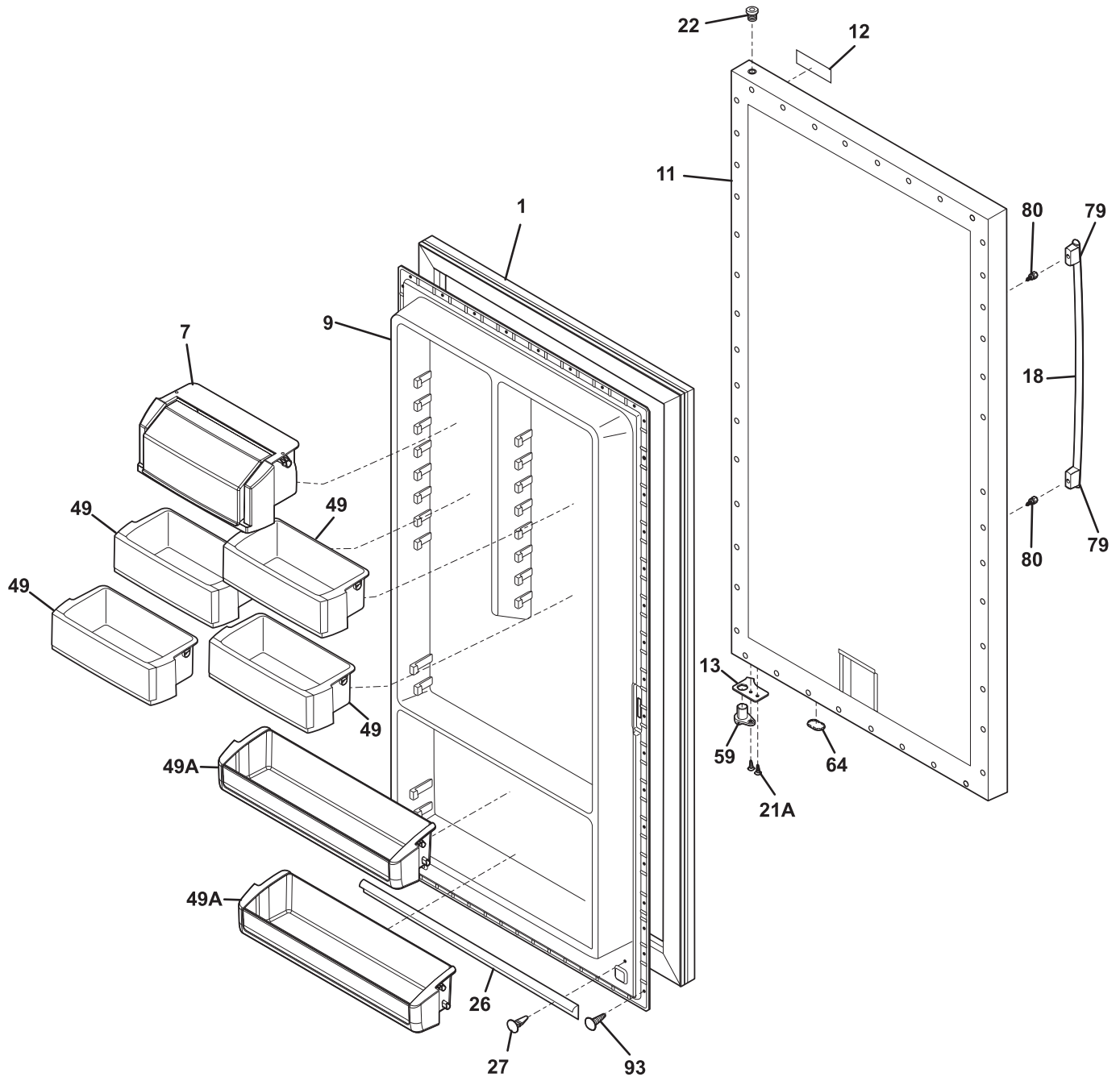
This Catalog replaces 5995622486

Publication No.
5995664710
15/07/15
(EN/SERVICE/ECL)
365

UPRIGHT FREEZER/REFRIGERATOR

Model No.
MRAD19V9KS

DOOR

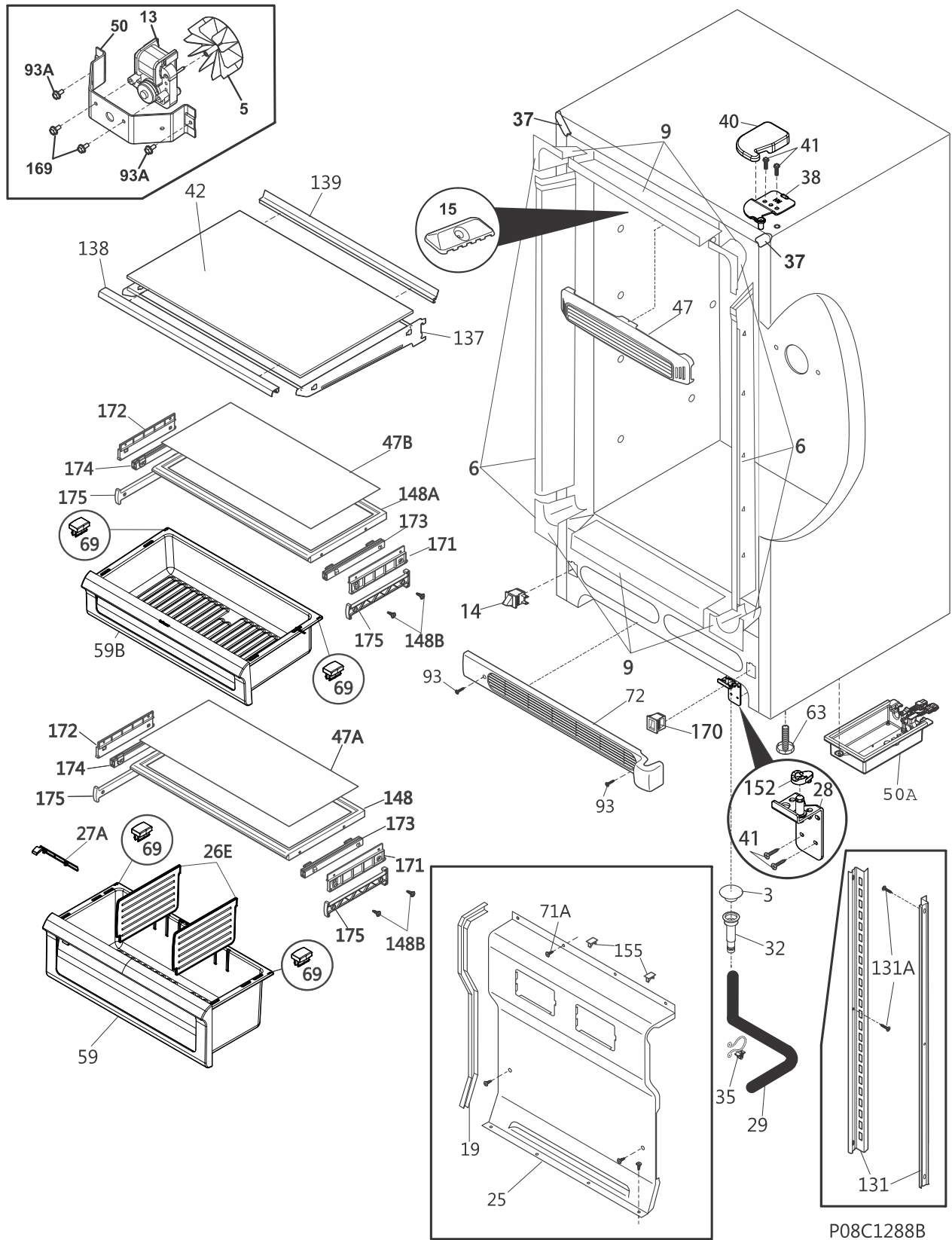


P08D0677

DOOR

POS. NO	PART NO.	DESCRIPTION
1	216522370	Gasket-door, gray
7	297326200	Dairy Bin, assembly
9	297280800	Panel-inner door, frzr
11	297353500	Panel-outer door, stainless
12	137095500	Anchor, nameplate
13	297302800	Door Stop, RH
18	297330300	Handle Assembly, stainless, w/endcaps
18*	241701901	Screw Driver
18*	297175300	Wrench, allen
*	297048000	Screw, anchor, #8, white
21A	297197500	Screw, door stop mtg, FH38-16X.750, P Twin
22	216970801	Bearing, hinge, gray, top
26	216524201	Gasket, secondary
27	5304472186	Clip, panel mtg
27*	5304406520	Clip, panel mtg kit, (40)
49	297295300	Bin-door, 2-liter
49A	297295400	Bin-door, gallon, (2)
59	297302900	Bearing, door stop
64	216403701	Plug-button, hole filler, door base
79	218755401	Screw-set, 10-32 x 0.375
80	218755504	Screw-shoulder, #10 AB, handle mounting
93	218781101	Screw, pan head, 8-18 x 0.625
*	297355300	Label, quick start

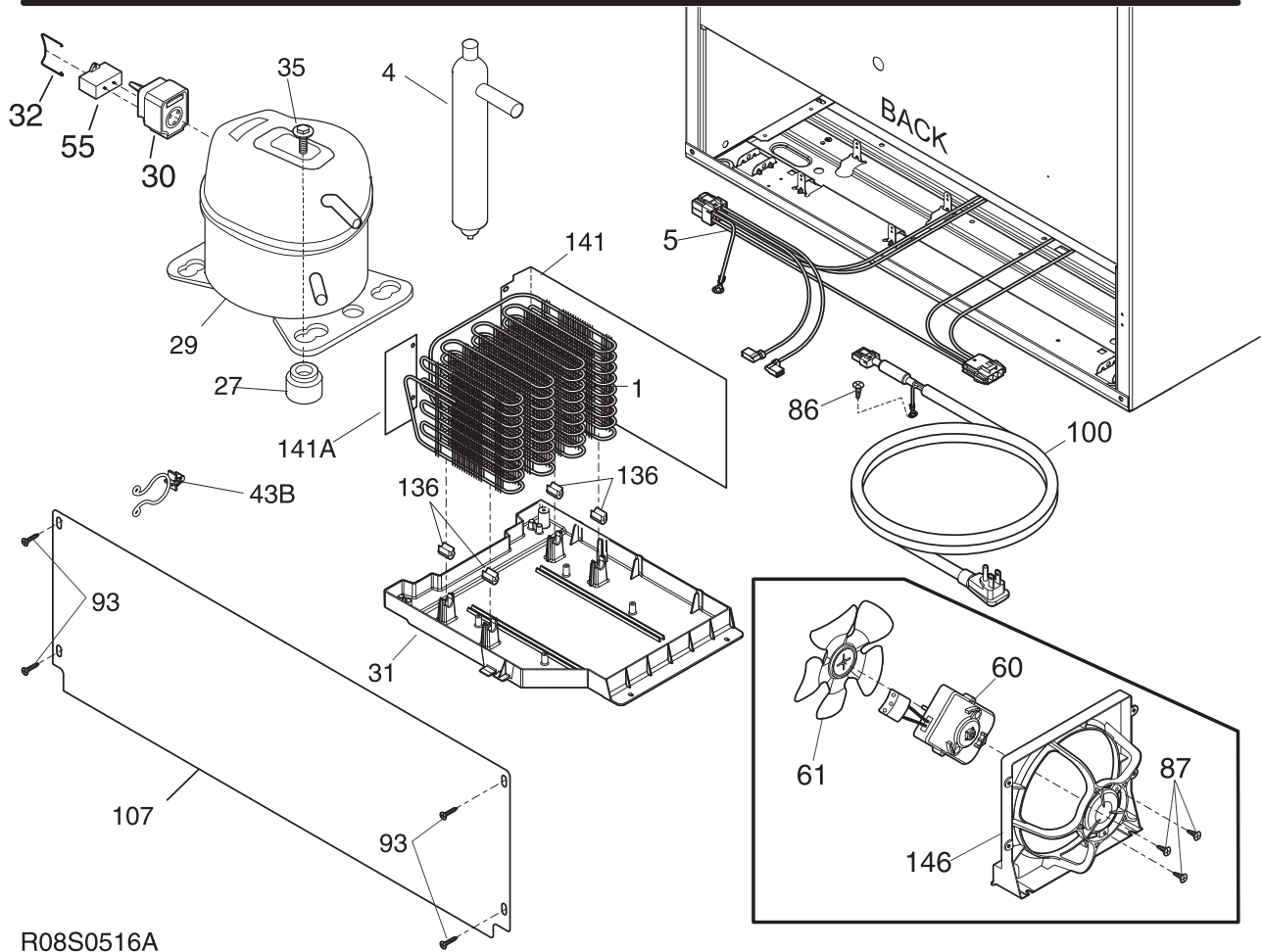
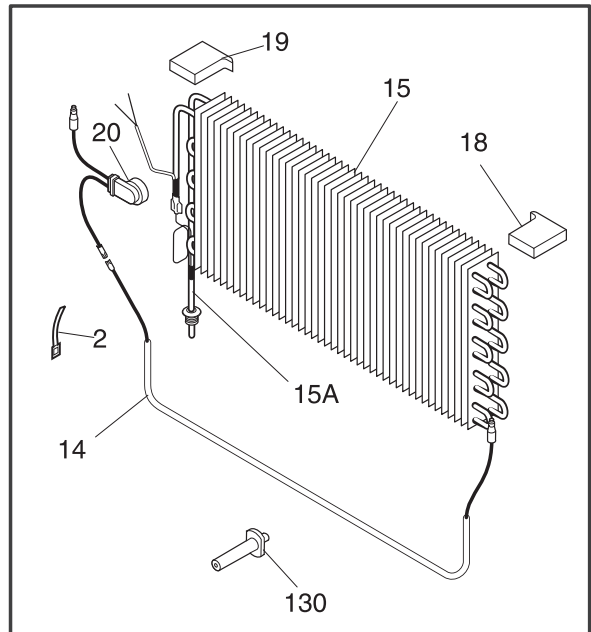
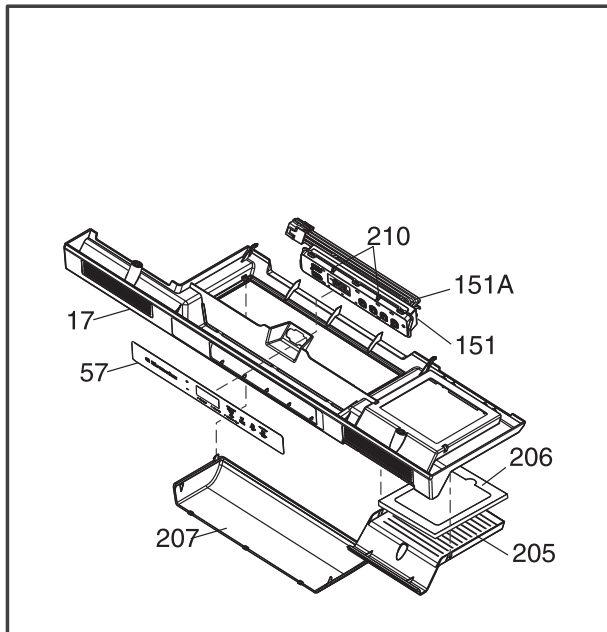
CABINET



CABINET

POS. NO	PART NO.	DESCRIPTION
3	216503100	Screen-drain
5 #	216325600	Fan Blade
6	297200900	Breaker Kit w/corners
9	297200100	Breaker Kit w/corners, 32", top and bottom
13 #	297250010	Motor-fan, 230V
14	216822901	Switch, light/lamp, ramp
15 #	241891103	Light-LED
19	216204902	Gasket-evap cover
25	297099255	Cover-evaporator
26E	297099400	Divider-crisper
27A	297295800	Knob, humidity contrl
28	297302510	Hinge-lower, RH w/bearing
29	216313501	Hose-drain
32	5308005500	Drain
35	216273000	Clip, wire retainer
37	297273903	Trim-cabinet corner, silver mist, (2)
38	297303900	Hinge-upper, RH
40	297304000	Cover-hinge, gray, RH
41	297236250	Screw, hex head, 1/4-20x5/8, hinge
42	297265900	Glass-shelf
47	297192900	Baffle, air
47A	297102705	Glass, crisper cover
47B	297102704	Glass, crisper cover
50	216394050	Bracket, fan motor mount
50A #	241891608	Board, LED light
59	297295700	Bin, crisper, assy
59B	297292300	Drawer, deli-assy
63	216396900	Screw, leveling foot, plastic, adjustable
63*	297164650	Bracket, LH leg levelor
63*	297164651	Bracket, RH leg levelor
69	297297300	Bumper, crisper
71A	297146820	Screw, 8-18AB x.470 QX
72	297036904	Grille/Kickplate, 32", gray
93	5304460605	Screw, ph truss head, 8-18AB x 0.500
93A	297174300	Screw, self pierce, #8, 18x.63
131	297130200	Channel-shelf mtg, side, (2)
131A	297146821	Screw, th, 8-18x.470 AB QX, white, (6)
137	297050600	Frame-shelf, cantilever, (2)
138	297261400	Trim-shelf, front
139	297261500	Trim-shelf, rear
148	297271700	Frame-crisper cover
148A	297271701	Frame-crisper cover, lower
148B	297142600	Screw, blunt, 8-32 x 5/8
152	297302700	Bearing-hinge
155	5303313703	Clip, wire
169	216912401	Screw, hex washer head, 8-32 x 0.500, bracket fan mtr, (2)
170	297280403	Valve, breather
171	297092700	Bracket, crisper cover, RH
172	297092701	Bracket, crisper cover, LH
173	297291210	Slide, crisper, RH, w/clips
174	297291211	Slide, crisper, LH, w/clips
175	297099500	Support, crisper
*	297001704	Insulation, 24", drain tube

SYSTEM



R08S0516A

SYSTEM

POS. NO	PART NO.	DESCRIPTION
1 #	5300083897	Condenser
2	5308000110	Strap-evap/heater, aluminum, (2)
4 #	216938601	Filter - Dryer
5 #	297325400	Harness-main
14 #	216730701	Heater-defrost
15 #	216997300	Evaporator
15A	297231800	Heat Exchanger
17	297269000	Box-control
18	297078701	Insulator-evap, styrofoam, RH
19	297078801	Insulator-evap, styrofoam, LH
20	216731001	Thermostat, defrost
27	5308002681	Grommet, compressor
29 #	297056400	Compressor, 220-240V
30	216954209	Controller, compressor
31	297165800	Pan-drain
32	216649200	Clip, controller
35	297368500	Bolt, compressor
43B	297315800	Clip, wire
55	216985004	Capacitor, run, 5MF
57	297269404	Overlay
60 #	241657102	Motor-condenser fan
61	241639501	Blade-condenser fan
86	216036601	Screw, RWHD, 8-32A x 0.500, GX-CA
87	5304463290	Screw, hi-lo blunt, #8-18X1/2
93	5304460605	Screw, ph truss head, 8-18AB x 0.500
100#	297075901	Cord-power, 220V
107	297194802	Panel, access
130	297244700	Support, evaporator mtg
136	240405201	Grommet, rubber, black, cond tube/wire
141	297164200	Divider, air flow
141A	297194700	Divider, small, air flow
146	297164000	Shroud-fan orifice
146*	216337701	Screw, HWH, 10-24 x 0.500, Swage
151#	297326506	Electronic Control, assembly
151A	297327900	Harness-jumper
205	297294301	Holder, air filter
206	242047801	Filter-air
207	297294501	Shield-light, white
208	297355201	Guard-wire
210	216905301	Screw, PH 3-24X.25, electronic assy
*	297110400	Thermistor
*	216502500	Sleeve, suction line
*	297014702	Plug-suction line
*	297102800	Spacer-tube
*	240555002	Screw-#8-32 X 3/8
*	297174300	Screw, self pierce, #8, 18x.63